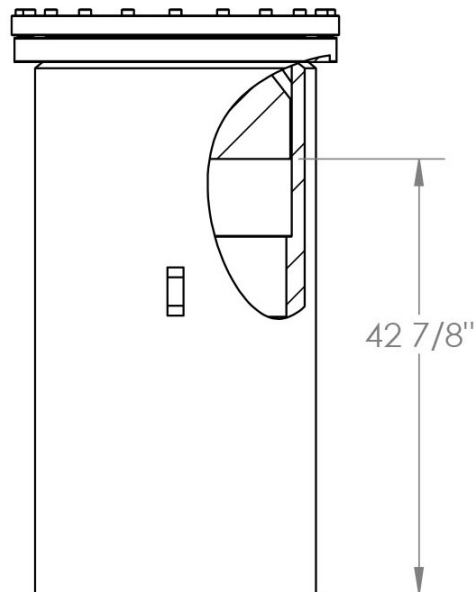
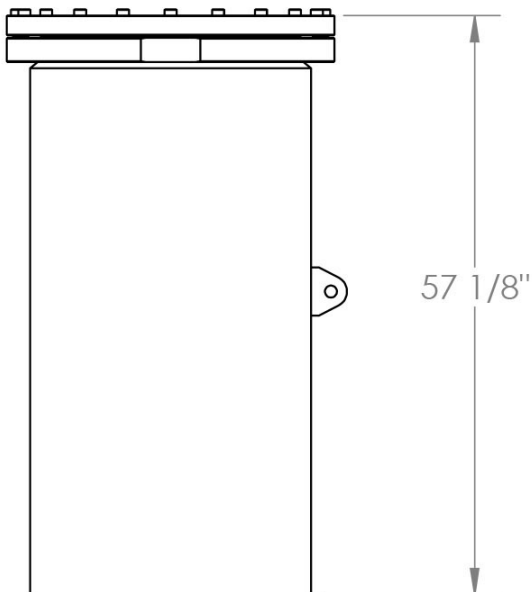
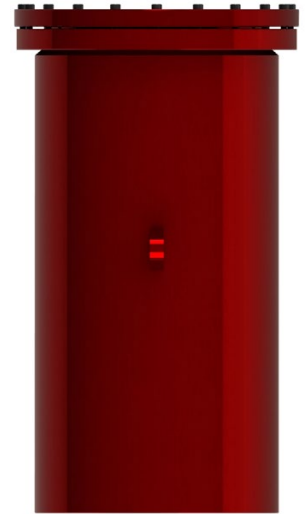
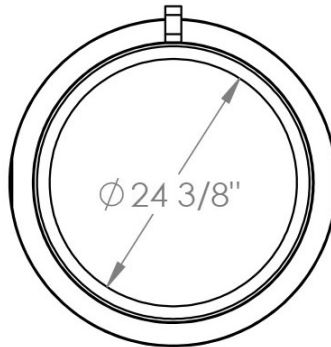
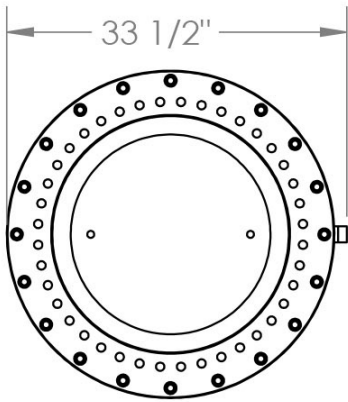


#8004960

24" SLEEVE TO FIT S150 HYDRAULIC HAMMER



24" SLEEVE TO FIT S150 HYDRAULIC HAMMER

#8004960

Weight: 3,524 lbs.